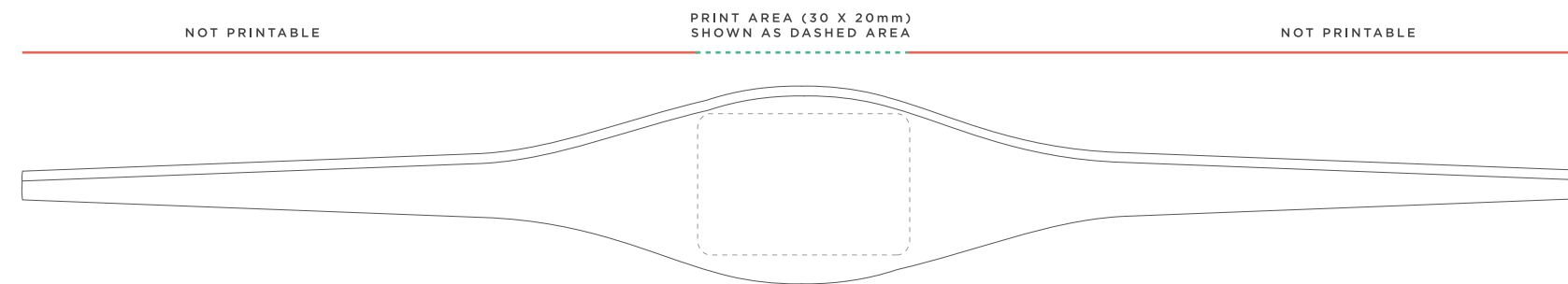


RFID SILICONE WRISTBAND

Oblate Face (Thin Strap) 67mmØ (~220mm) - Large

By submitting your approval of the order & artwork, you are accountable & agree all the details on the order & artwork are accurate to your requests. Once we receive your mandatory email approval, production will begin. If you make any changes to the order after your approval, you will be financially responsible for what has been produced & timelines may be affected. Due to differing screen resolutions, the colors in the template are a guide. The Pantones denoted in the artwork will be used for matching, but the colors of the final product may have a max variance of 5-10%.

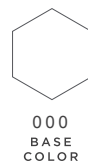
Imprint location may vary up to 2-4mm.



1

SILICONE BASE

- STANDARD
- SOFT OIL COATING
- 40 DEGREE SILICONE



2

CUSTOMIZATION

- PRINTED
 - DEBOSSED
(Sunken)
 - EMBOSSED
(Raised)
 - INFILL
-
- 000 000 000
ONE TWO THREE
COLOR COLOR COLOR